

Promethean®

# ActivPanel®

Titanium System Install and User Guide

# Copyright information

TP-3011-EN-V05 ©2020 Promethean Limited. All rights reserved.

All software, resources, drivers and documentation supplied in the Promethean ActivInspire download are copyright Promethean Limited 2020. Promethean grants a license to install and use Promethean ActivInspire software, including any resources, drivers and documentation supplied in the download. Refer to the licence agreement for information about the terms and conditions of this licence.

Promethean is owner of a number of trademarks in several jurisdictions across the world. The Promethean products documented in this guide include aspects which are protected under their respective patent, copyright, design copyright, registered design and trademark laws.



The terms HDMI, HDMI High-Definition Multimedia Interface, and the HDMI Logo are trademarks or registered trademarks of HDMI Licensing Administrator, Inc.

VESA is a registered mark of Video Electronics Standards Association.

Apple is a trademark or registered trademark of Apple, Inc. in the United States and other countries. Windows is a registered trademark or trademark of Microsoft Corporation in the United States and other countries. Linux is a registered trademark of Linus Torvalds in the United States and other countries.

All other trademarks remain the property of their respective owners.

This guide is distributed online. It may only be reproduced for use within the institution in which the product is used. For use outside of your institution, no part of this guide may be reproduced, transmitted, stored in a retrieval system or translated into any other language without the prior permission of Promethean Limited.

Please note that the content in this guide is protected under copyright law. Although every care has been taken in the compilation of this guide, Promethean Limited accepts no responsibility for errors or omissions, or for damages resulting from the use of information contained within the following pages.

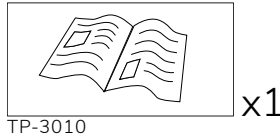
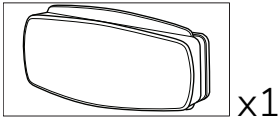
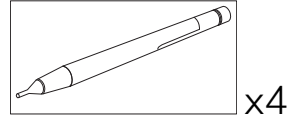
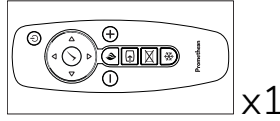
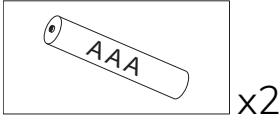
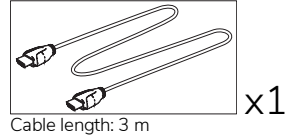
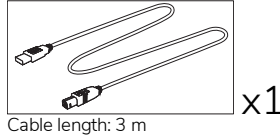
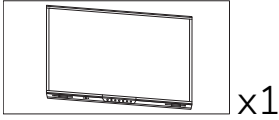
# Table of contents

Copyright information	2
Box contents	5
ActivPanel	5
ActivSoundBar	6
OPS-M	7
ActivConnect OPS-G	7
Promethean Chromebox	8
Promethean Wi-Fi module (Titanium)	8
Overview	9
Interfaces	9
Controls	19
Installation	22
Installing accessories	22
Mounting the ActivPanel on the wall mount	30
Mounting on the APTMS	35
Mounting on the APTASBB400-70/90	36
Setup	39
Installing batteries in the ActivPanel remote control	39
Switching on the ActivPanel	40
Setting up the ActivPanel for the first time	41
Activating the battery in the ActivSoundBar remote control	43
Connecting the ActivSoundBar	43
Switching on the ActivSoundBar	44
Switching on the OPS-M and ActivConnect OPS-G	45
Connecting the Promethean Chromebox	46
Switching on the Promethean Chromebox	46
Connecting a laptop or desktop computer to the ActivPanel	47
Selecting an HDMI source on the ActivPanel	48
Connecting to the Internet on the ActivPanel	49
Operation	51
Using touch on the ActivPanel	51
About the menu	52
Accessing the menu	53

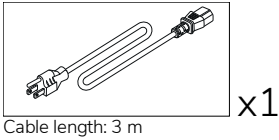
Opening apps	54
Changing settings	55
Updating the ActivPanel firmware	56
Warranty, registration and support	58
Warranty	58
Registration	58
Support	58
Troubleshooting	59
ActivPanel	59
ActivSoundBar	60
List of serviceable parts	61

# Box contents

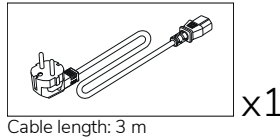
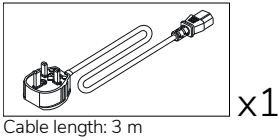
## ActivPanel



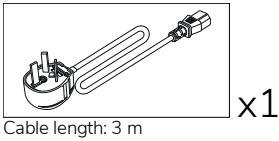
## NAM



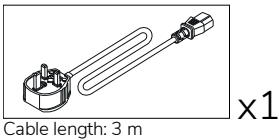
## EMEA



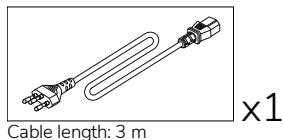
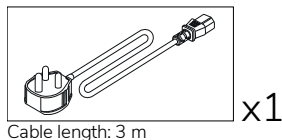
## China



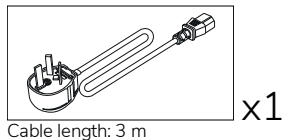
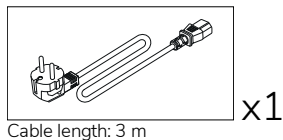
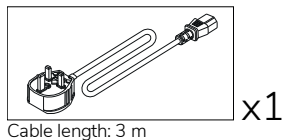
## Saudi Arabia



## South Africa



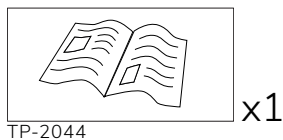
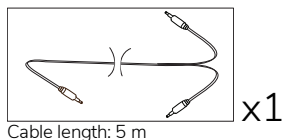
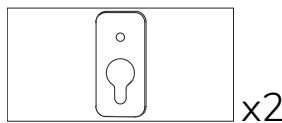
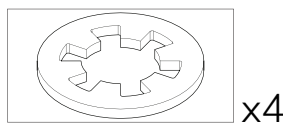
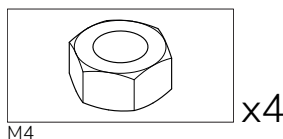
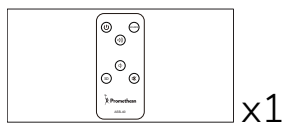
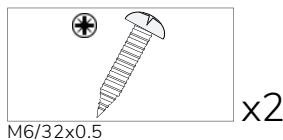
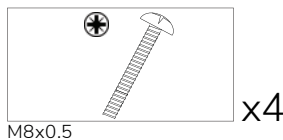
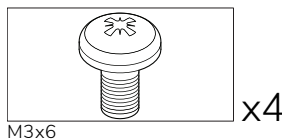
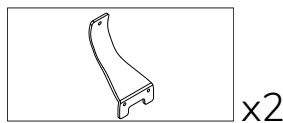
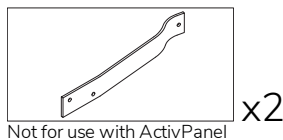
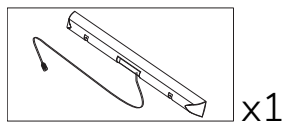
## AUS/NZ



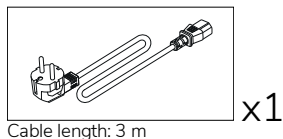
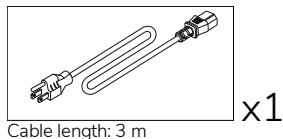
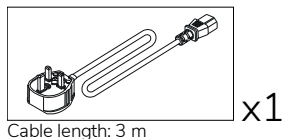
## ActivSoundBar



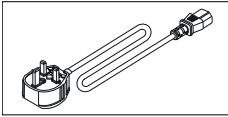
This product is an optional accessory.



## EMEA/USA

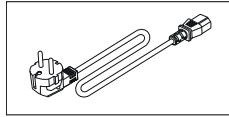


## ASIA



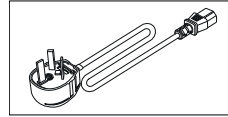
Cable length: 3 m

x1



Cable length: 3 m

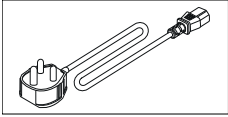
x1



Cable length: 3 m

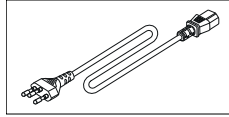
x1

## SOUTH AFRICA



Cable length: 3 m

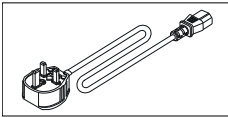
x1



Cable length: 3 m

x1

## SAUDI ARABIA



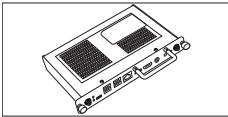
Cable length: 3 m

x1

## OPS-M

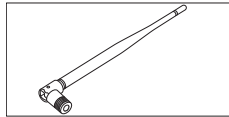


This product is an optional accessory.



x1

OPS2-5P4R500H  
OPS2-5P8R256S



x2



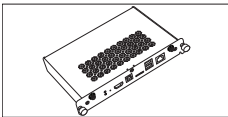
x1

TP-2072

## ActivConnect OPS-G

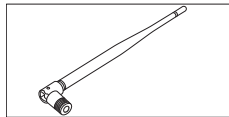


This product is an optional accessory.



x1

PRM-ACON1-OPS

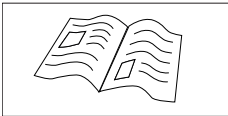


x2



x1

TP-2073



x1

TP-2093

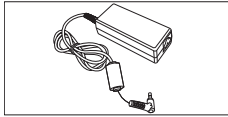
# Promethean Chromebox



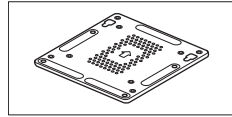
This product is an optional accessory.



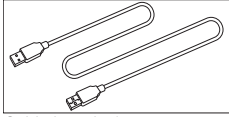
PRM-CHROMEBOX-OS-COMP x1



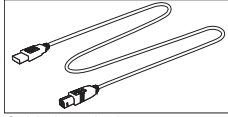
x1



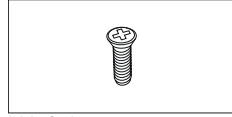
x1



Cable length: 1 m x1



Cable length: 1 m x1



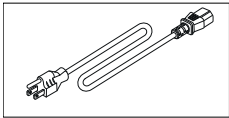
M4x6-1 x4



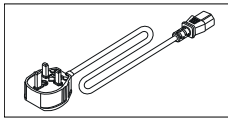
M4x9.0-C x2



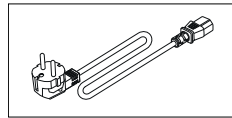
TP-3009 x1



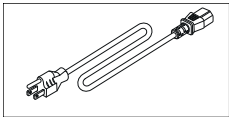
Cable length: 1 m  
US x1



Cable length: 1 m  
UK x1

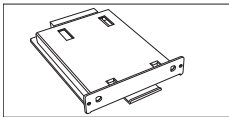


Cable length: 1 m  
EU x1

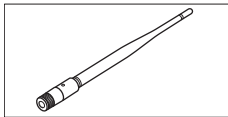


Cable length: 1 m  
AUS x1

## Promethean Wi-Fi module (Titanium)



x1



x2



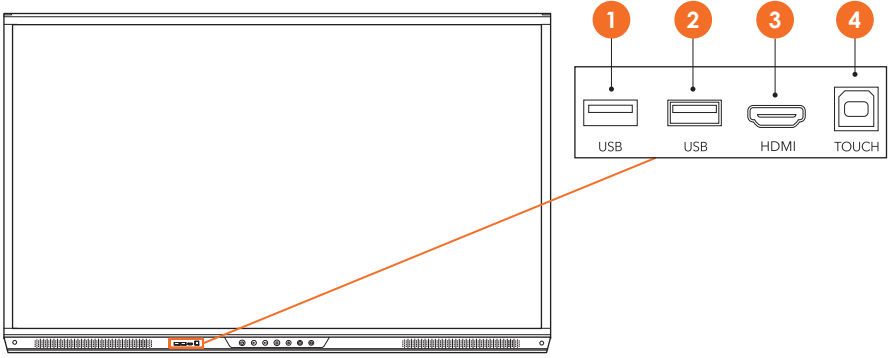
TP-3012 x1



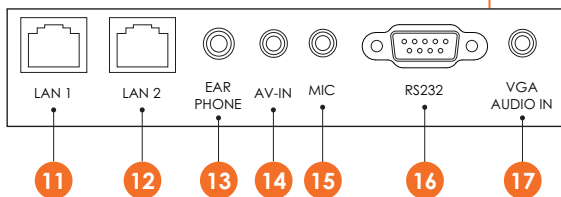
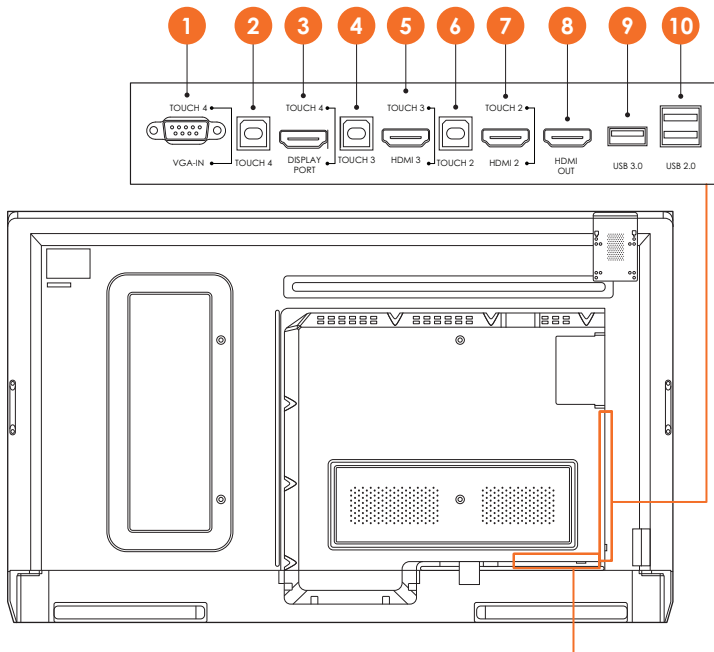
# Overview

## Interfaces

### AP7-B70

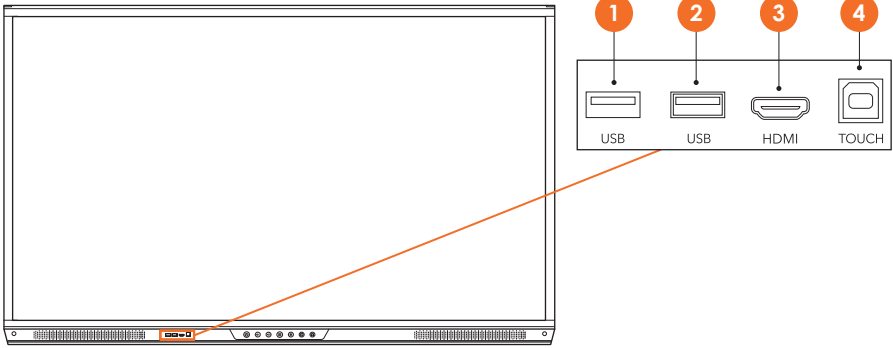


1	USB	2	USB
3	HDMI 1	4	TOUCH USB

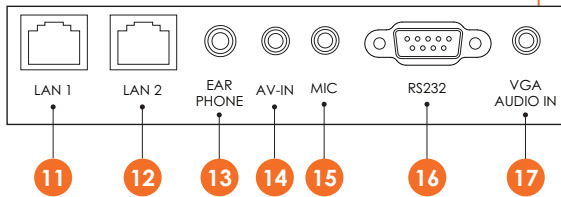
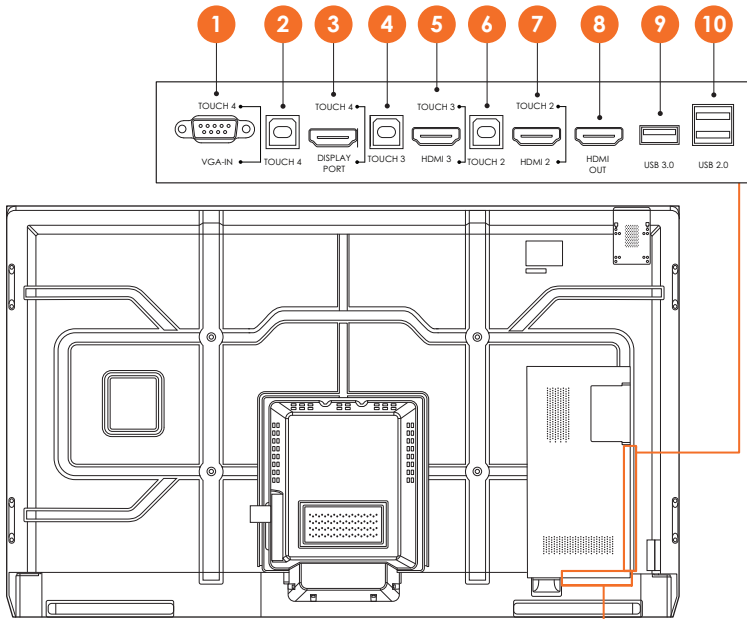


1	VGA IN	2	TOUCH USB 4
3	DISPLAY PORT	4	TOUCH USB 3
5	HDMI 3	6	TOUCH USB 2
7	HDMI 2	8	HDMI OUT
9	USB 3.0	10	USB 2.0
11	LAN	12	LAN
13	HEADPHONES	14	AV IN
15	MICROPHONE	16	RS232
17	VGA IN		

# AP7-B75

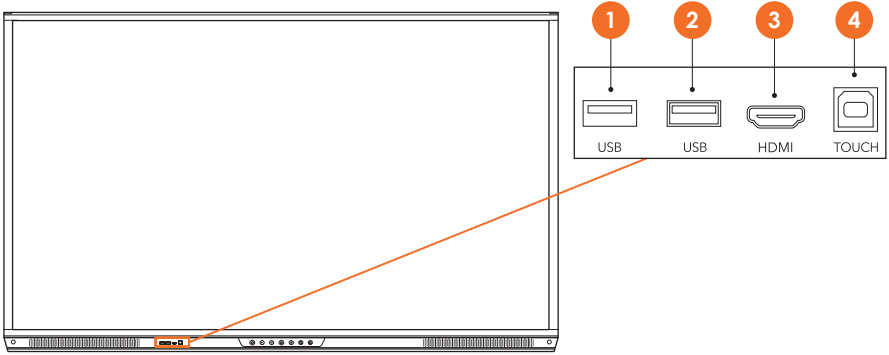


1	USB	2	USB
3	HDMI 1	4	TOUCH USB

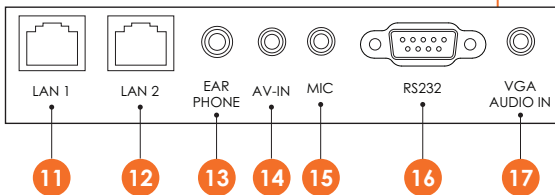
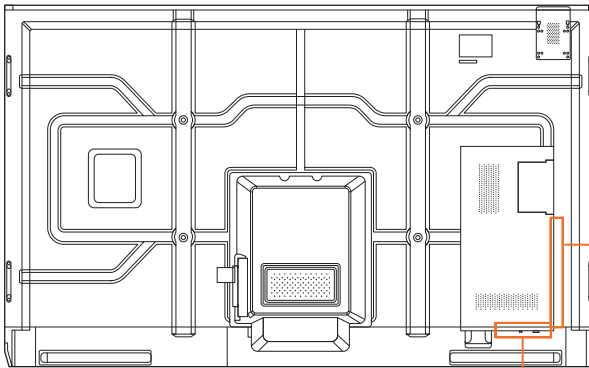
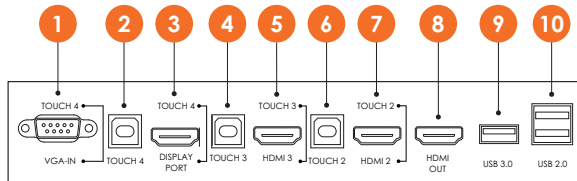


1	VGA IN	2	TOUCH USB 4
3	DISPLAY PORT	4	TOUCH USB 3
5	HDMI	6	TOUCH USB 2
7	HDMI	8	HDMI OUT
9	USB 3.0	10	USB 2.0
11	LAN	12	LAN
13	HEADPHONES	14	AV IN
15	MICROPHONE	16	RS232
17	VGA IN		

# AP7-B86



1	USB	2	USB
3	HDMI 1	4	TOUCH USB

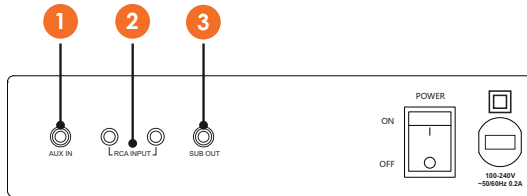


1	VGA IN	2	TOUCH USB 4
3	DISPLAY PORT	4	TOUCH USB 3
5	HDMI 3	6	TOUCH USB 2
7	HDMI 2	8	HDMI OUT
9	USB 3.0	10	USB 2.0
11	LAN	12	LAN
13	HEADPHONES	14	AV IN
15	MICROPHONE	16	RS232
17	VGA IN		

## ActivSoundBar



This product is an optional accessory.

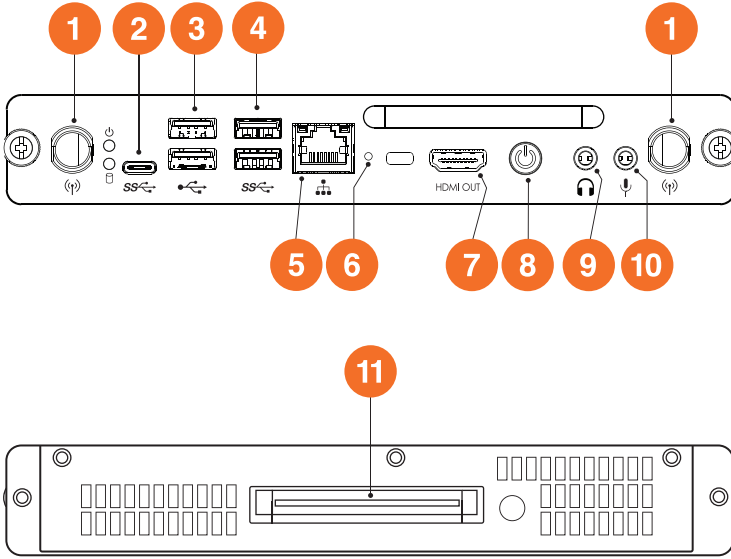


1	AUXILIARY	2	AUDIO IN
3	SUB-WOOFER OUT		

# OPS-M



This product is an optional accessory.

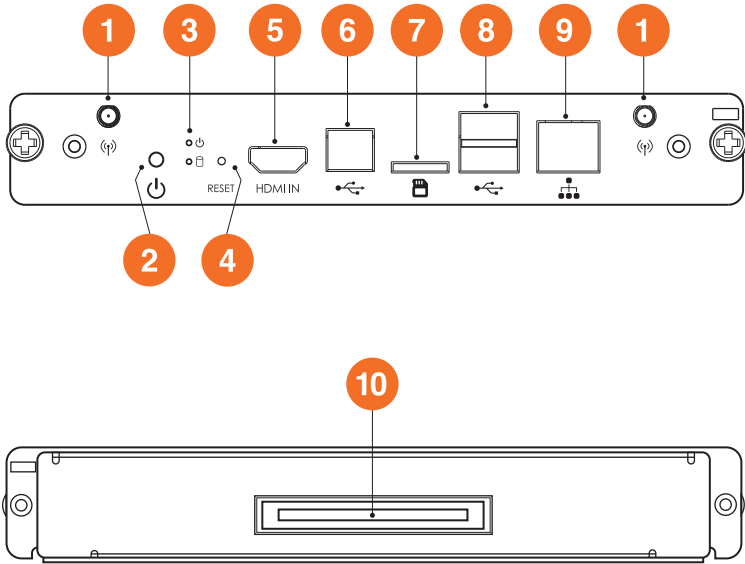


1	Wireless antenna	2	USB-C
3	USB 2.0	4	USB 3.0
5	LAN	6	Reset
7	HDMI out	8	Power
9	Audio out	10	Audio in
11	OPS connector		

# ActivConnect OPS-G



This product is an optional accessory.



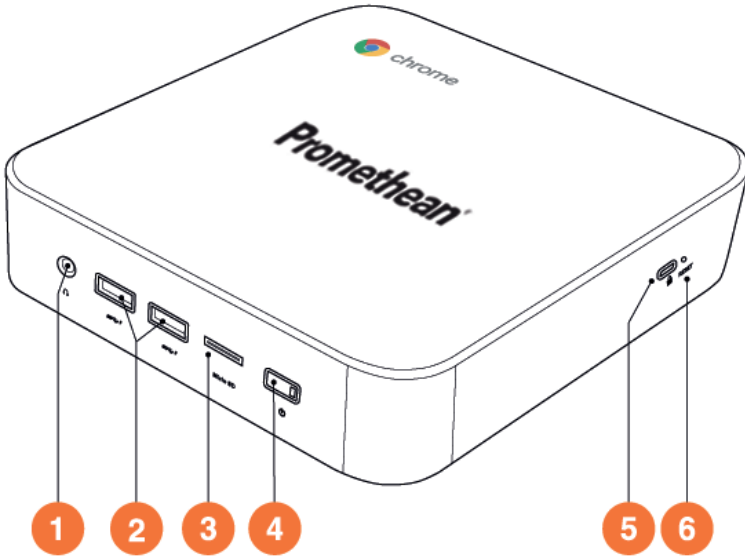
1	Wireless antenna	2	Power
3	Reset LED	4	Reset
5	HDMI in	6	USB-B
7	SD card	8	USB 2.0
9	LAN	10	OPS connector



# Promethean Chromebox



This product is an optional accessory.



<b>1</b>	Audio output	<b>2</b>	USB 3.0 (supports battery charging)
<b>3</b>	MicroSD	<b>4</b>	Power
<b>5</b>	Kensington lock port	<b>6</b>	Reset



<b>1</b>	LAN	<b>2</b>	USB 2.0
<b>3</b>	USB 3.0	<b>4</b>	HDMI
<b>5</b>	Power socket	<b>6</b>	USB-C

# Controls

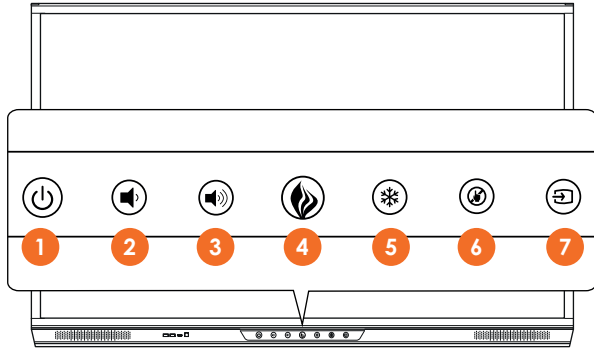
## ActivPanel

You can control the ActivPanel in the following ways:

- With the buttons on the control panel on the front of the device.
- With the buttons on the remote control.
- Using touch to manipulate menus and controls on screen.

You can access basic controls, as well as On-Screen Display (OSD) menus for adjusting audio and visual settings.

## Control panel

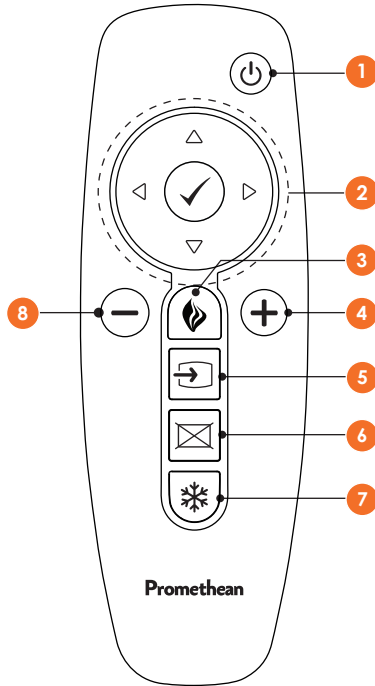


1	Power on/off	2	Decrease volume
3	Increase volume	4	Menu
5	Freeze screen	6	Touch on/off
7	Select source		

The Power on/off and the Menu button light up to indicate whether the panel is powered on, in standby or in sleep mode.

	Power on	Standby	Sleep
Power on/off button	○	●	●
Menu button	○	○	-

## Remote control

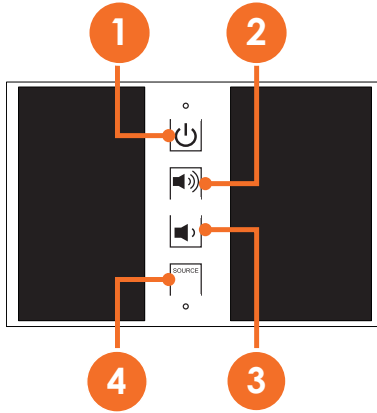


<b>1</b>	Power on/off	<b>2</b>	Confirm current selection/operation cursor keys: <ul style="list-style-type: none"><li>• up/down: select item to be adjusted</li><li>• left/right: adjust value of selected item</li></ul>
<b>3</b>	Display OSD menus	<b>4</b>	Increase volume (+)
<b>5</b>	Open source menu	<b>6</b>	Blank screen function
<b>7</b>	Freeze screen	<b>8</b>	Decrease volume (-)

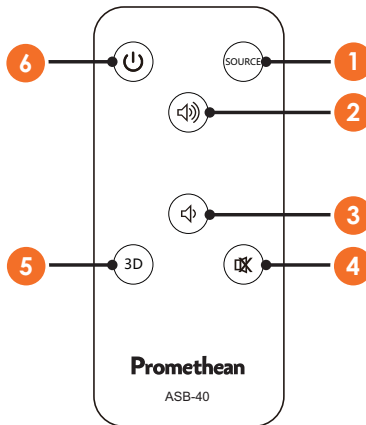
# ActivSoundBar



This product is an optional accessory.



1	Power on/off	2	Increase volume
3	Decrease volume	4	Select audio source



1	Select audio source	2	Increase volume
3	Decrease volume	4	Mute volume
5	3D sound function on/off	6	Power on/off

# Installation

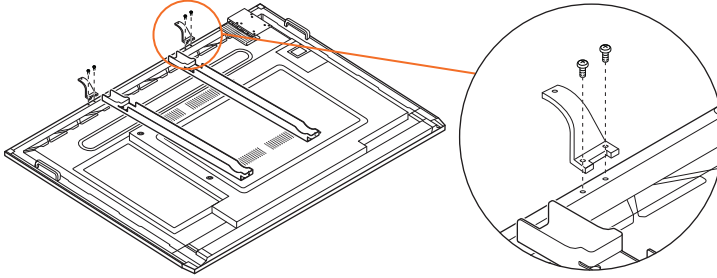
## Installing accessories

### Installing the ActivSoundBar

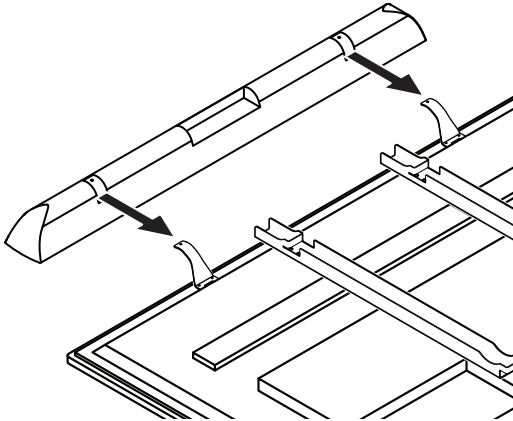


This product is an optional accessory.

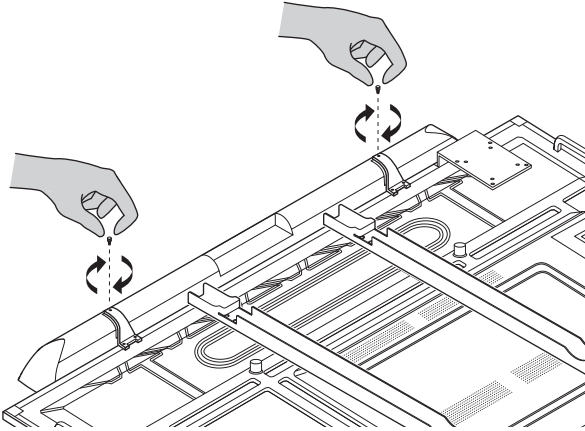
1



2



3



### Installing the OPS-M

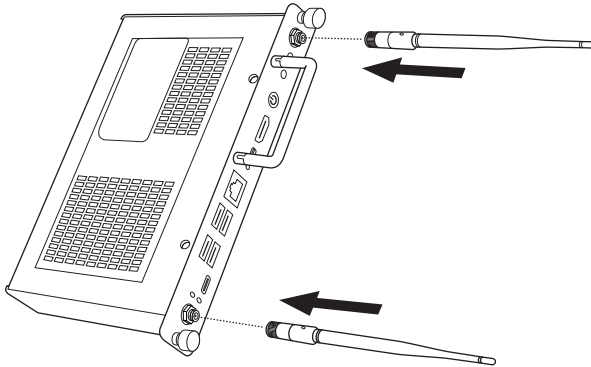


This product is an optional accessory.

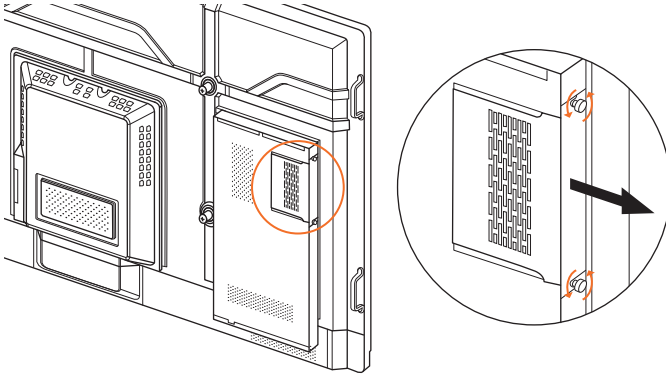


Before installing or removing the product, disconnect the ActivPanel from the power supply.

1

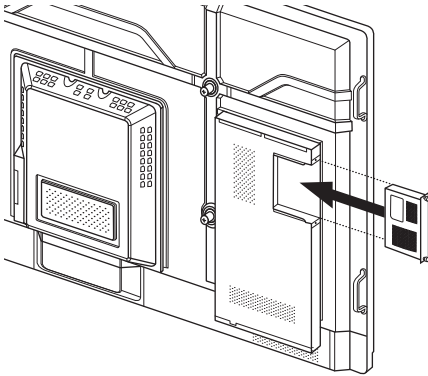


2

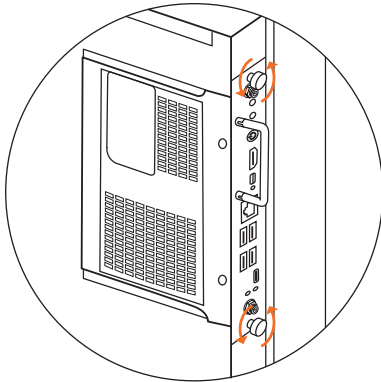


3

**Note:** When installing the OPS-M, ensure the venting holes are not covered when in position.



4





## Installing the ActivConnect OPS-G

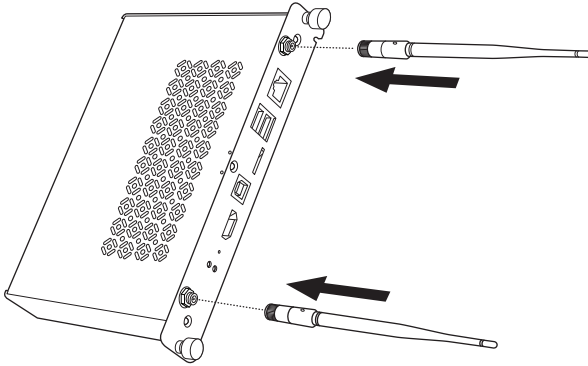


This product is an optional accessory.

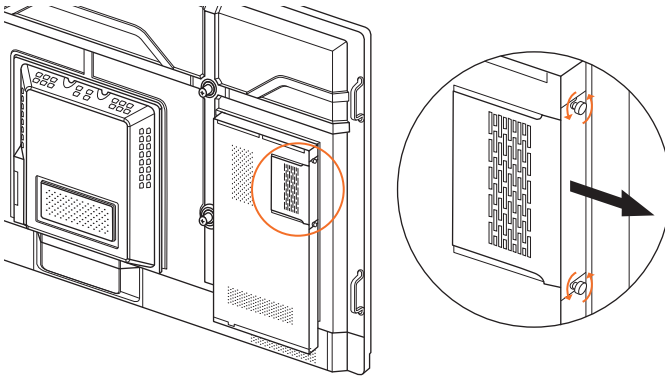


Before installing or removing the product, disconnect the ActivPanel from the power supply.

1

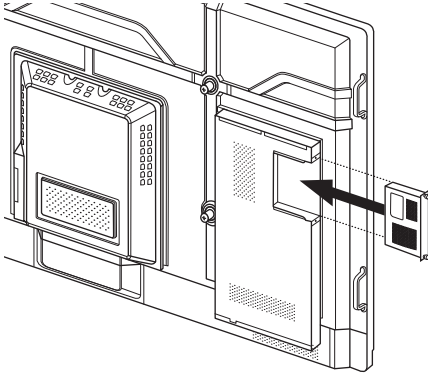


2

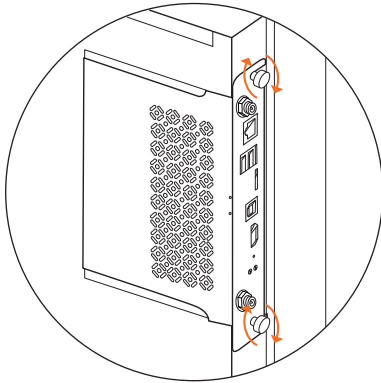


3

**Note:** When installing the ActivConnect OPS-G, ensure the venting holes are not covered when in position.



4

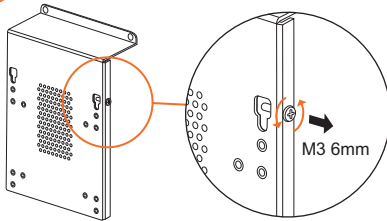


## Installing the Mini-PC bracket

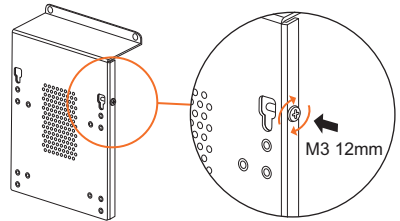
You can install an external computing device, for example a Promethean Chromebox, on the Mini-PC bracket.

1

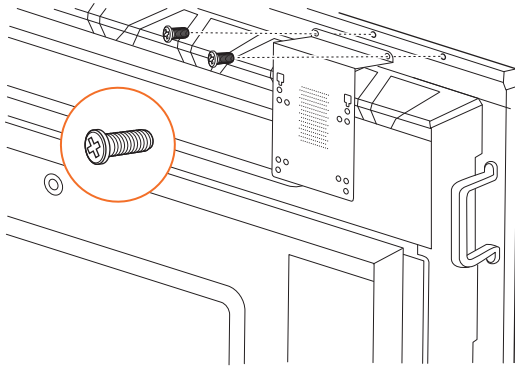
i



ii



2

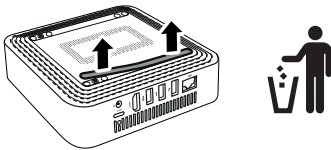


### Installing the Promethean Chromebox

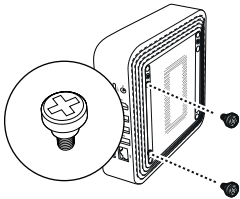


This product is an optional accessory.

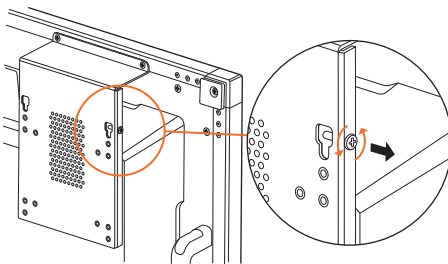
1



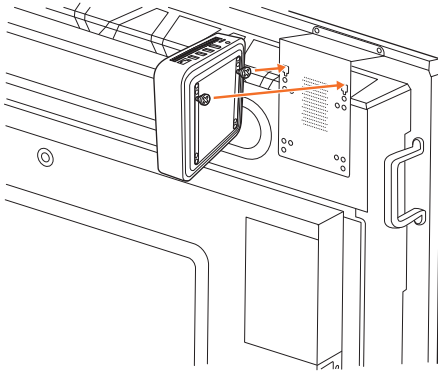
2



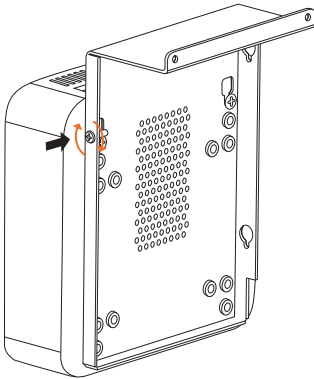
3



4

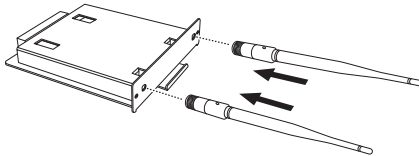


5

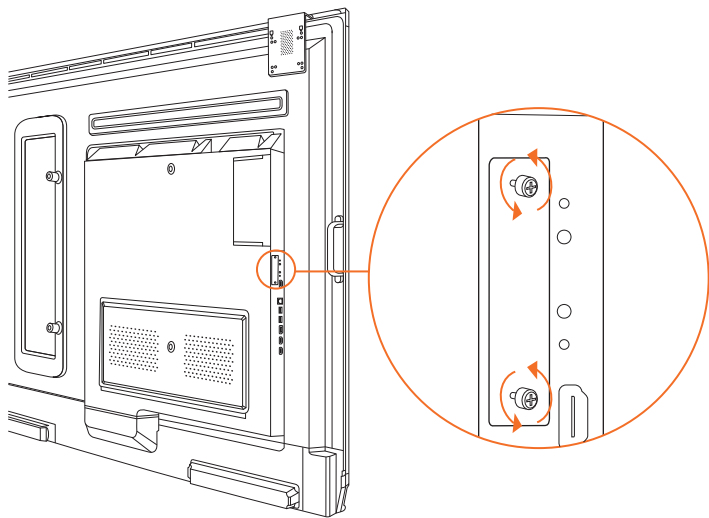


### Installing the Promethean Wi-Fi Module (Titanium)

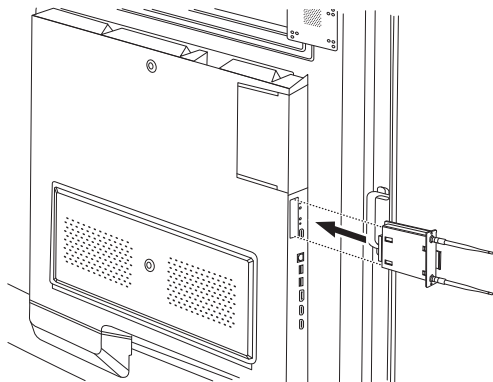
1



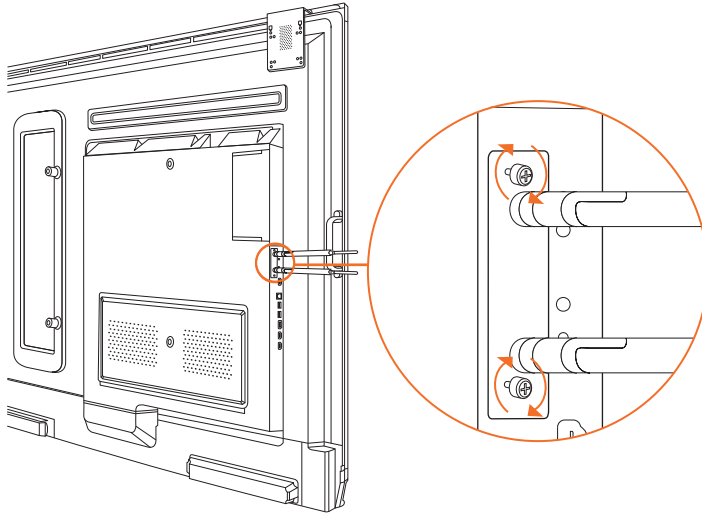
2



3



4



## Mounting the ActivPanel on the wall mount

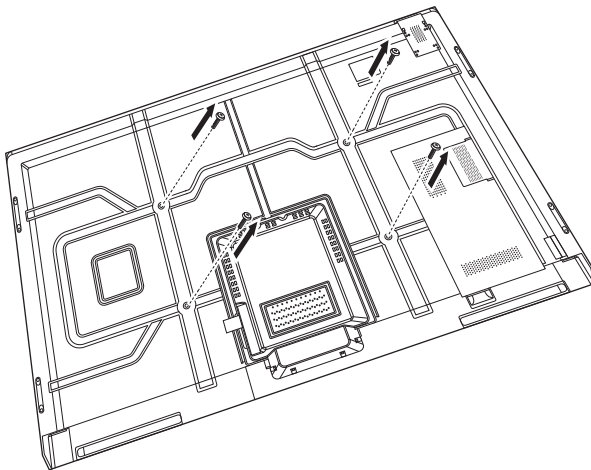


This product is an optional accessory.

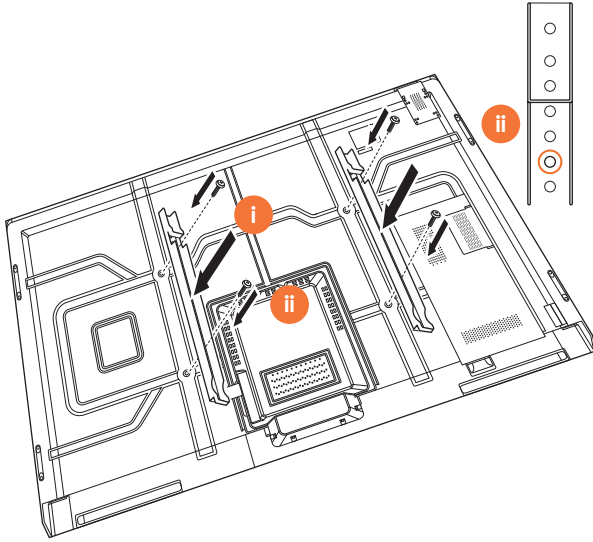


For more information, see TP-3024.

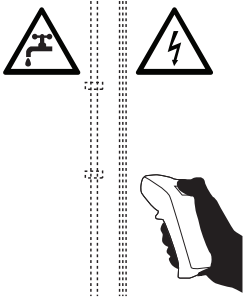
1

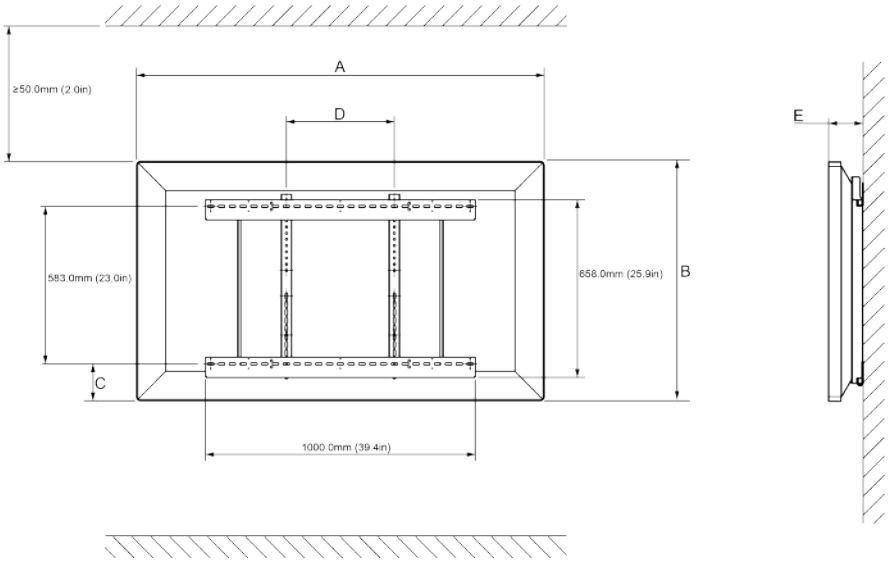


2



3

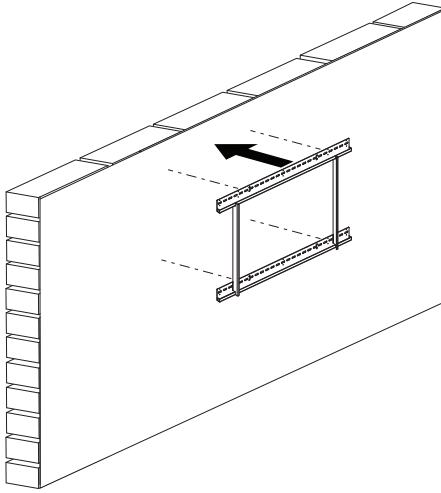




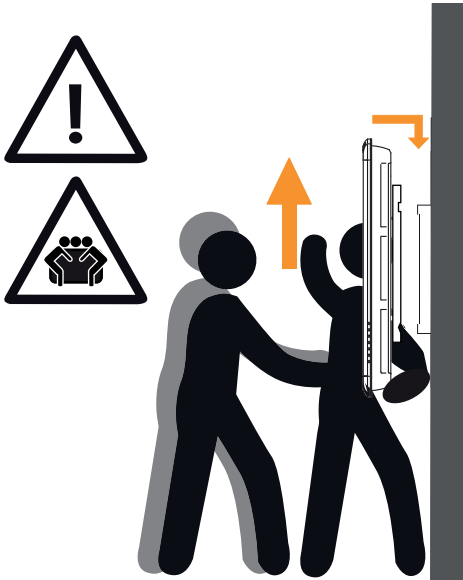
	70"	75"	86"
A	1668 mm (65.7")	1764 mm (69.5")	2014 mm (79.3")
B	1033 mm (40.7")	1089 mm (42.9")	1231 mm (48.5")
C	153-344 mm (6.0-13.5")	211-402 mm (8.3-15.8")	282-473 mm (11.1-18.6")
D	600 mm (23.6")	800 mm (31.5")	800 mm (31.5")
E	137 mm (5.4")	134 mm (5.3")	135 mm (5.3")



5

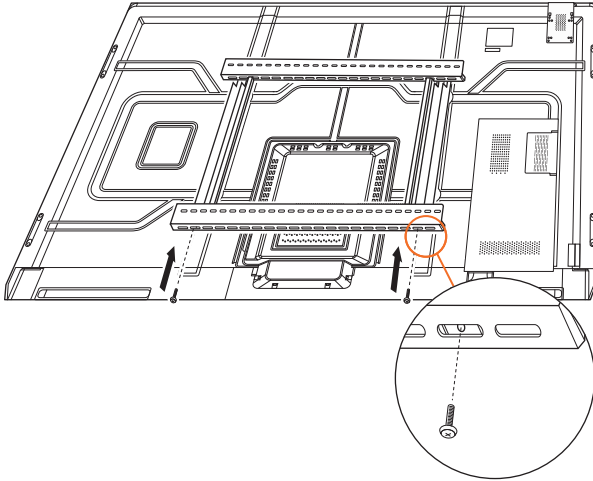


6



70"	53 kg	116.8 lbs
75"	60 kg	132.3 lbs
86"	75 kg	165.3 lbs

7

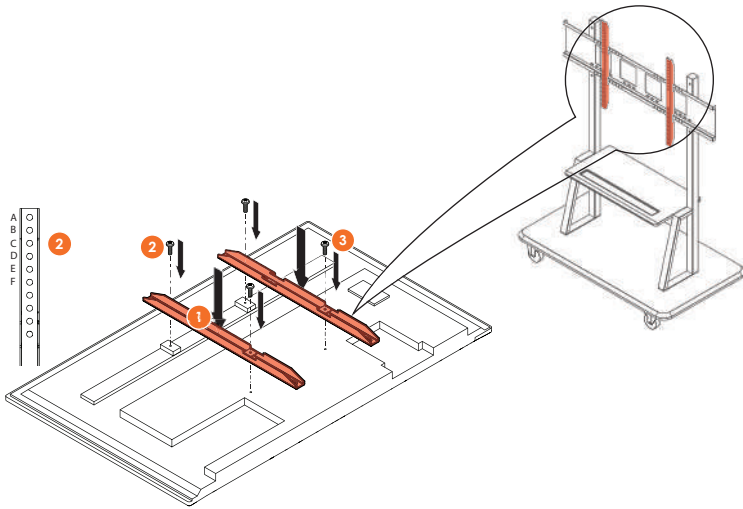


# Mounting on the APTMS



For more information, see TP-1924.

1



Model	Highest vertical blade position
AP7-B70	F
AP7-B75	F
AP7-B86	C

2

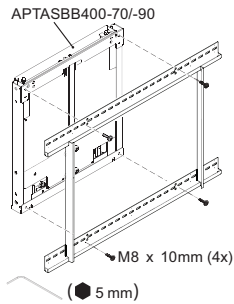


## Mounting on the APTASBB400-70/90



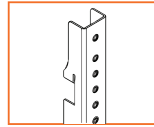
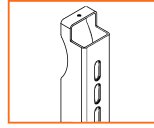
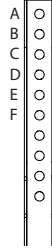
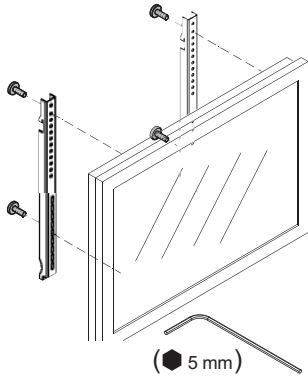
For more information, see 902852-01.

1



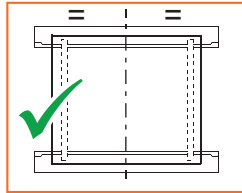
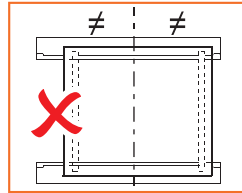
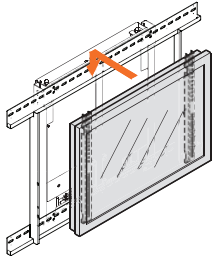
2

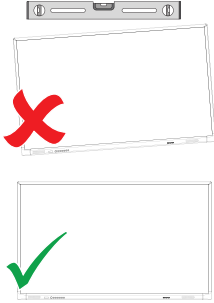
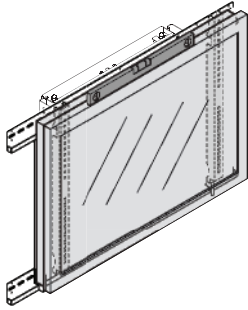
M4 x 12mm (10x) / M6 x 12mm (10x) / M8 x 12mm (10x)



Model	Highest vertical blade position
AP7-B70	F
AP7-B75	F
AP7-B86	C

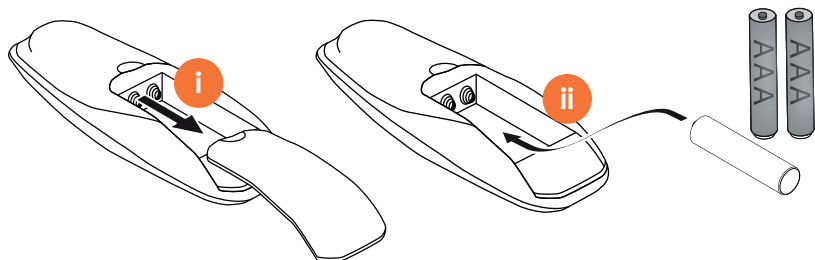
3





# Setup

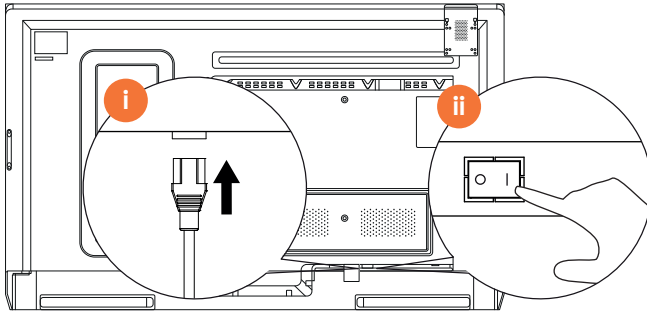
## Installing batteries in the ActivPanel remote control



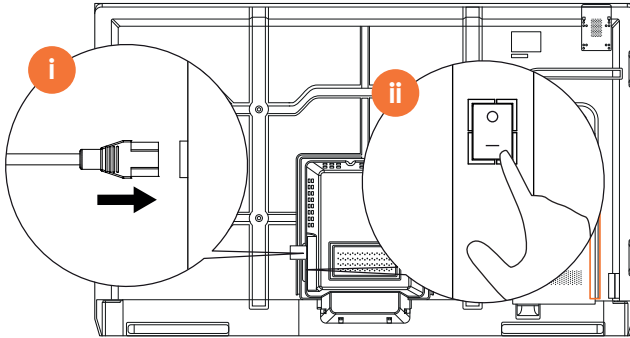
# Switching on the ActivPanel

1

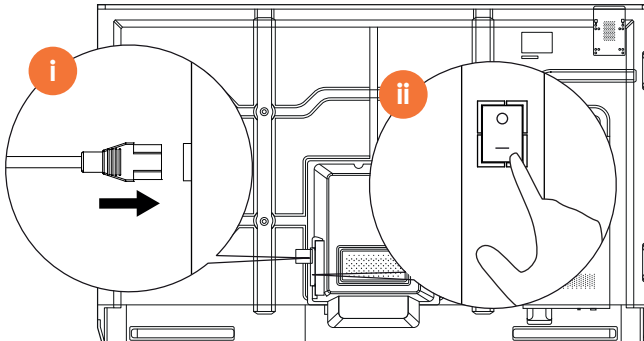
AP7-B70



AP7-B75

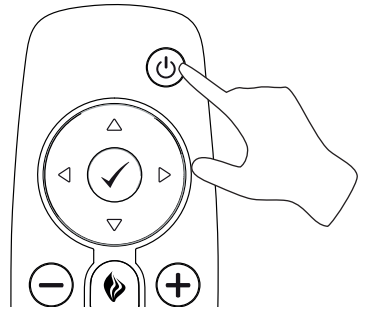
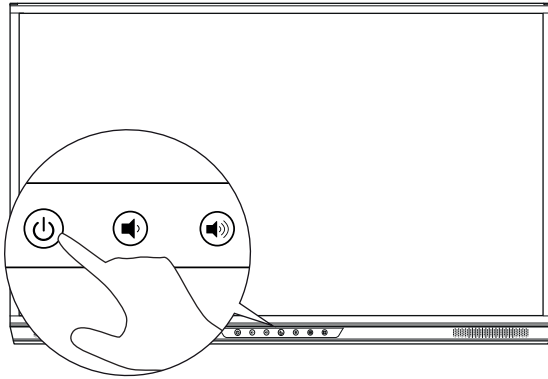


AP7-B86



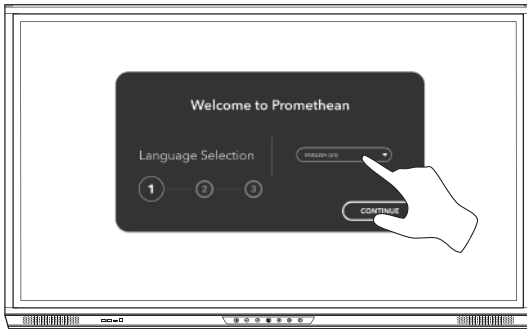


2

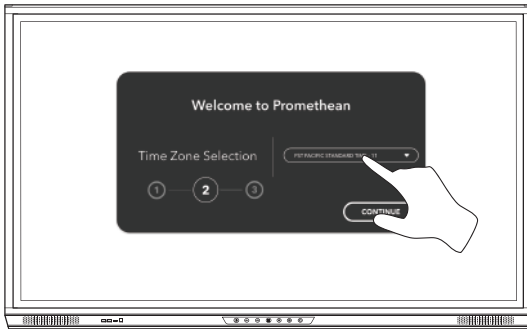


## Setting up the ActivPanel for the first time

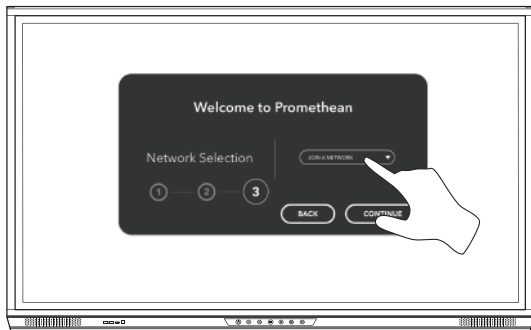
1



2



3



If you connect your ActivPanel to the Internet by an Ethernet cable, you will not be prompted to select a network.

4



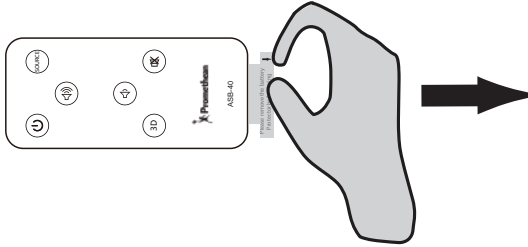
5



## Activating the battery in the ActivSoundBar remote control



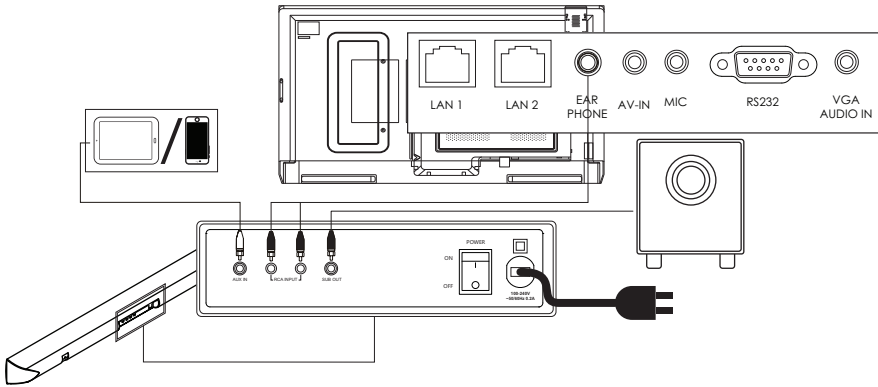
This product is an optional accessory.



## Connecting the ActivSoundBar



This product is an optional accessory.

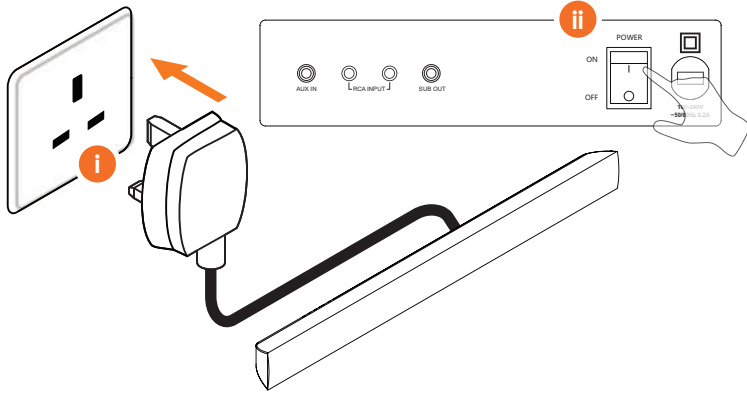


# Switching on the ActivSoundBar

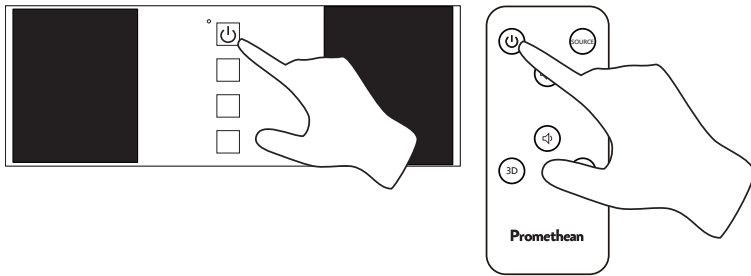


This product is an optional accessory.

1

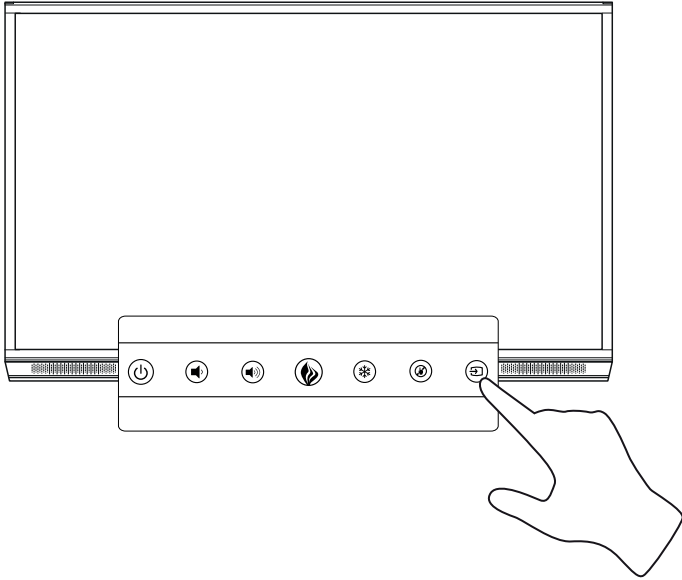


2

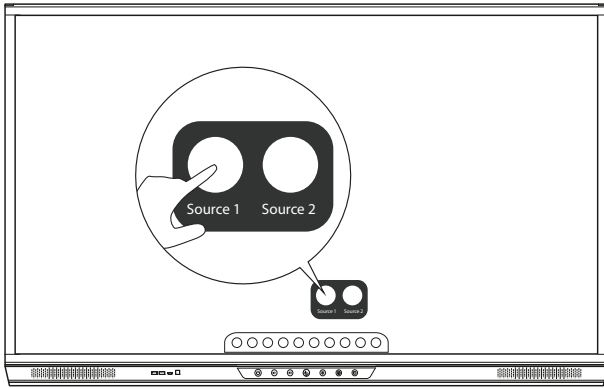


# Switching on the OPS-M and ActivConnect OPS-G

1



2

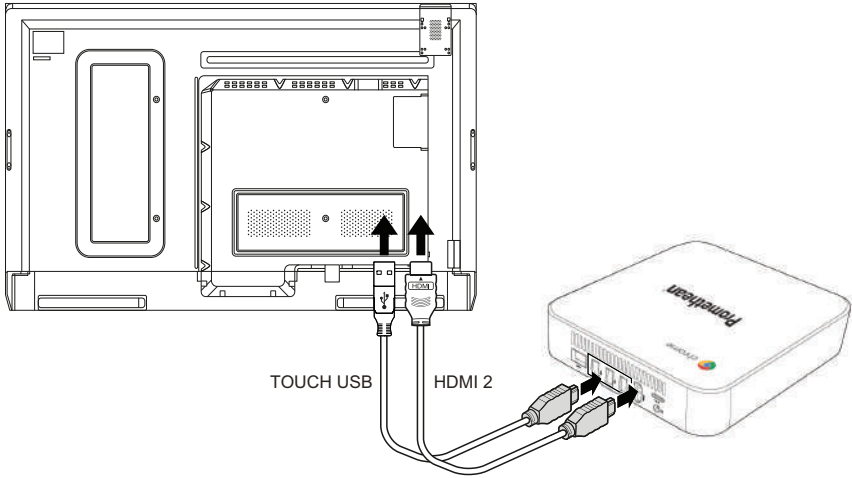


## Connecting the Promethean Chromebox



This product is an optional accessory.

1

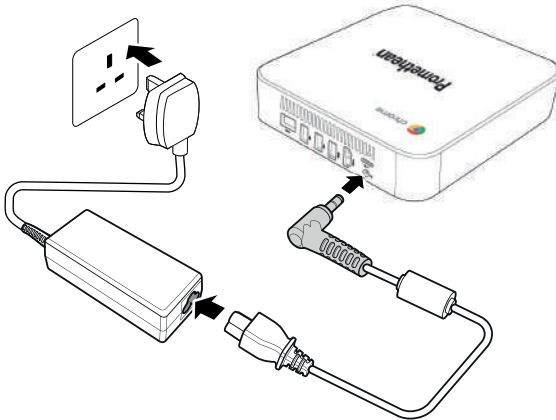


## Switching on the Promethean Chromebox

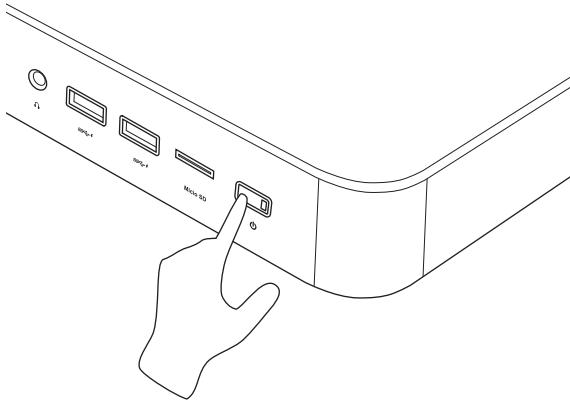


This product is an optional accessory.

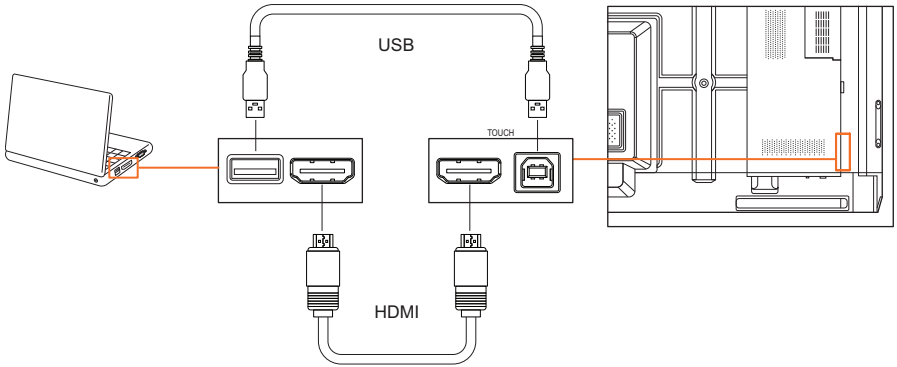
1



2

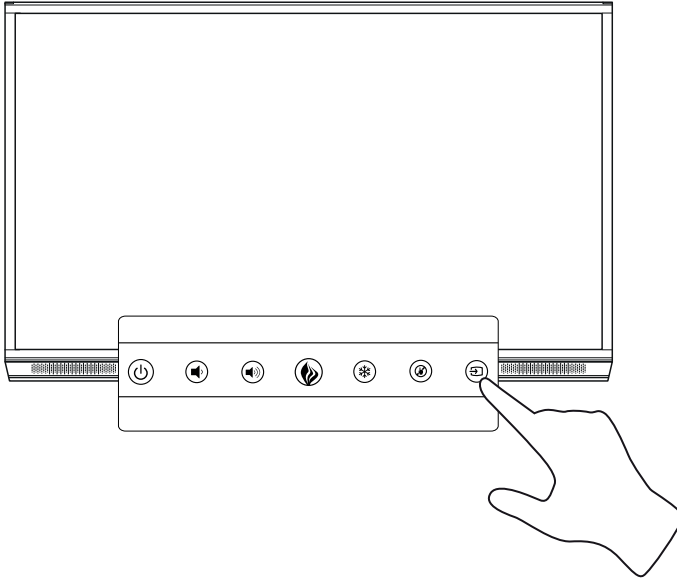


## Connecting a laptop or desktop computer to the ActivPanel

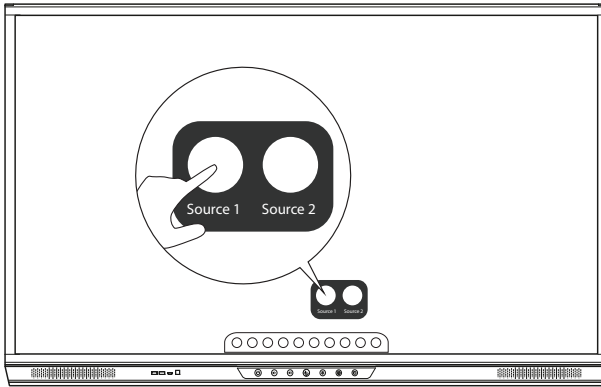


## Selecting an HDMI source on the ActivPanel

1



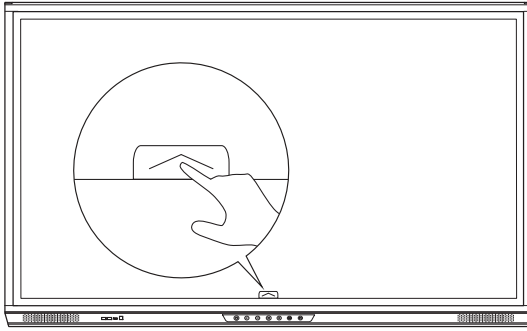
2



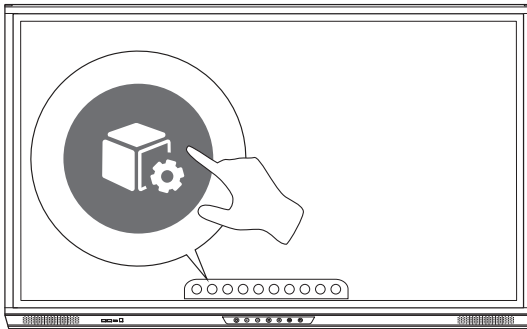


# Connecting to the Internet on the ActivPanel

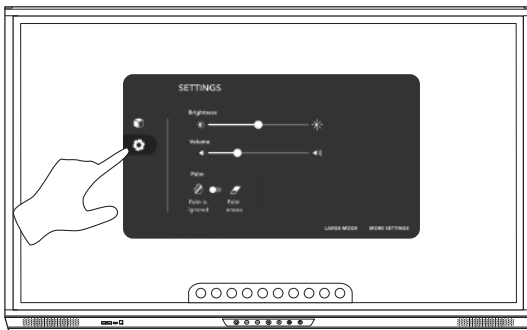
1

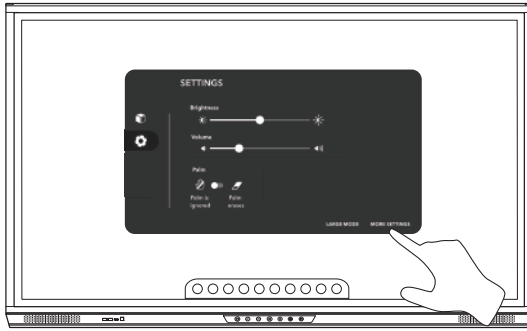


2



3





## Connecting to a wireless network

1. Select **Wi-Fi**.
2. Turn **Wi-Fi** on.
3. Select the network you want to connect to.

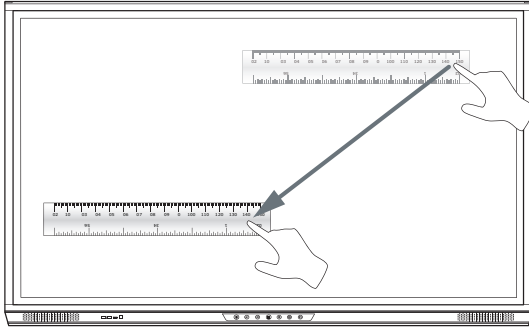
## Changing the network proxy settings

1. Select **Ethernet configuration > Proxy > Manual**.
2. Enter the relevant proxy details.
3. Select **Connect**.

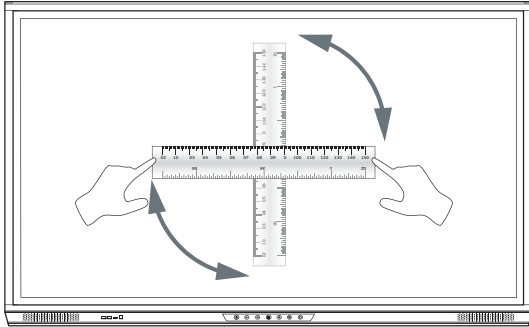
# Operation

## Using touch on the ActivPanel

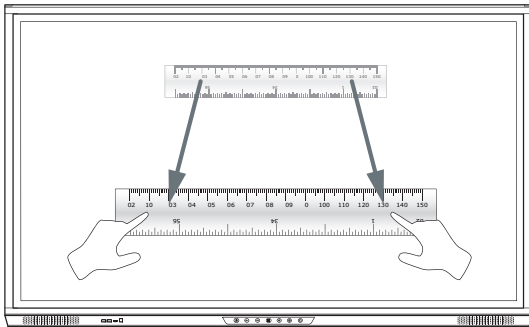
### Moving objects













### Rotating objects



### Enlarging objects



## About the menu

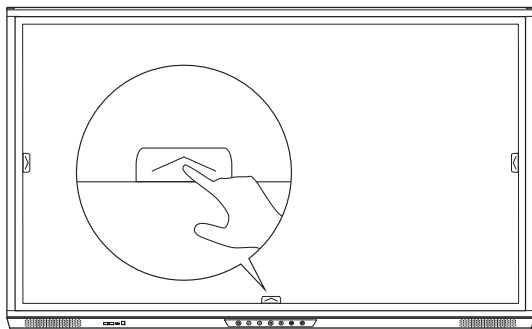
Icon	Name	Description
	<b>Back</b>	Navigates to the previous screen.
	<b>Locker</b>	Includes the following sub menus: <ul style="list-style-type: none"><li>• Apps (provides access to all applications)</li><li>• Settings (provides access to the ActivPanel settings such as brightness, volume, and language)</li></ul>
	<b>Owner</b>	Navigates to the Owner menu with QR codes to connect user profiles to the ActivPanel.
	<b>Home</b>	Navigates to the main menu.
	<b>Whiteboard</b>	Turns the screen into an interactive whiteboard.
	<b>Capture</b>	Captures a screenshot of the current screen.
	<b>Annotate</b>	Adds a drawing layer on top of the current screen.
	<b>Source</b>	Changes the input source.
	<b>Screen Share</b>	Launches the Screen Share software.
	<b>Recent Apps</b>	Navigates to the Apps menu.

## Accessing the menu

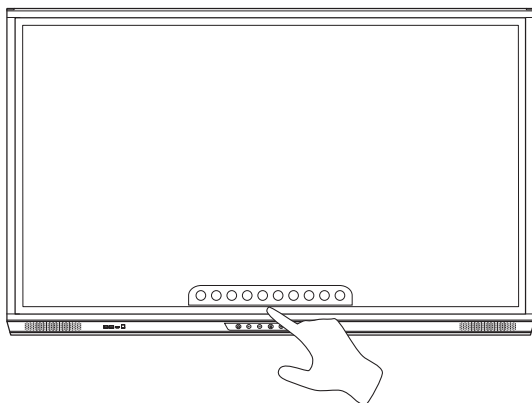
To access the menu, you can do either of the following:

- Touch the Menu arrow at the bottom or side of the screen
- Press the Menu button on the front of the ActivPanel or the remote control

1

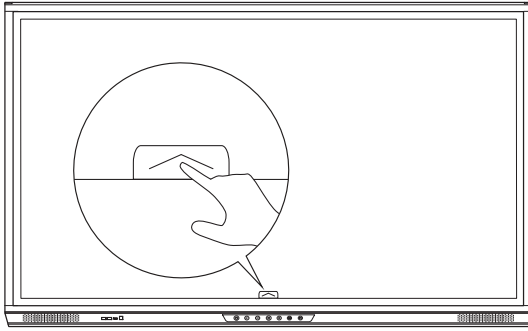


2

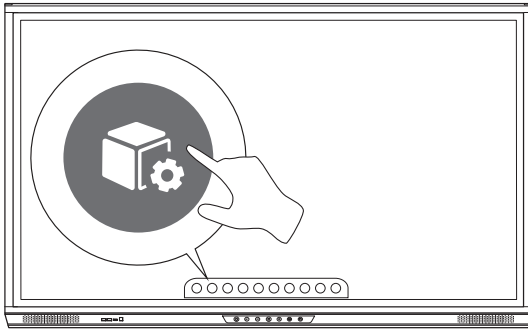


# Opening apps

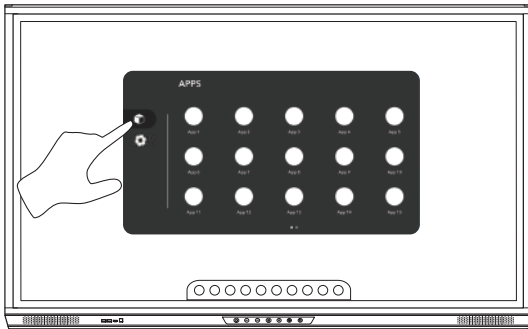
1



2

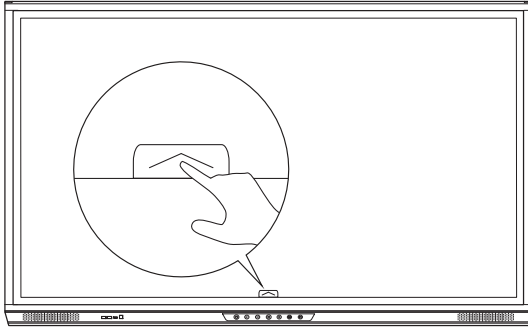


3

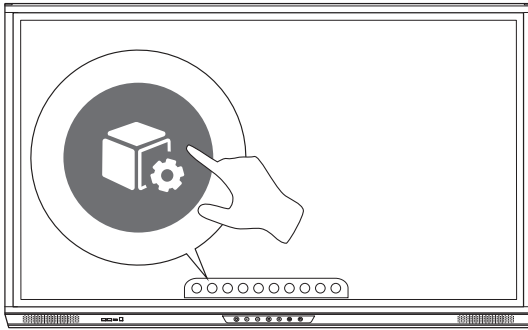


# Changing settings

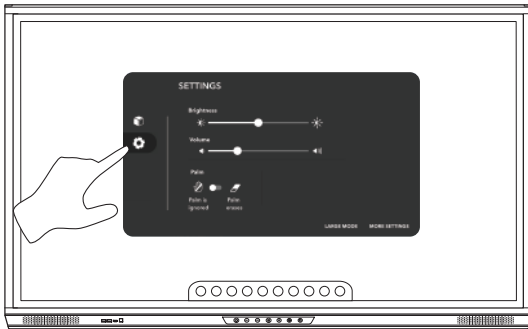
1



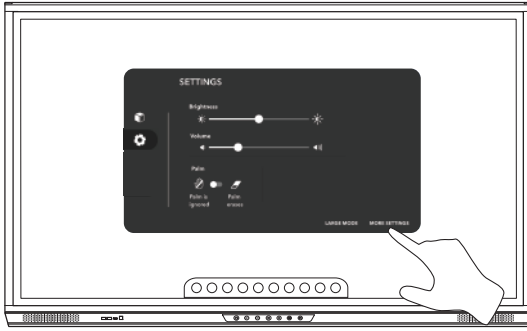
2



3

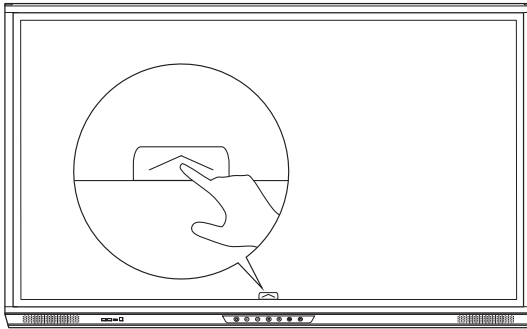


4

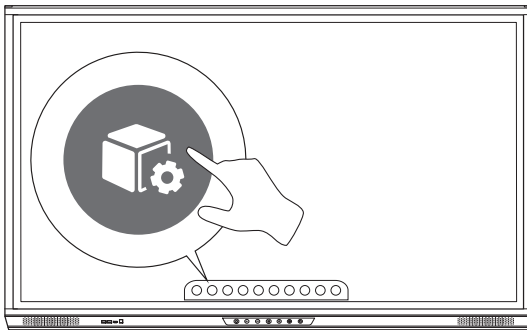


## Updating the ActivPanel firmware

1

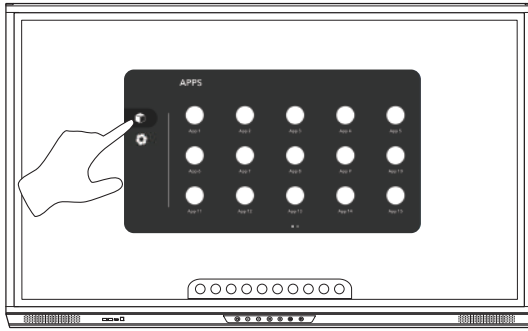


2

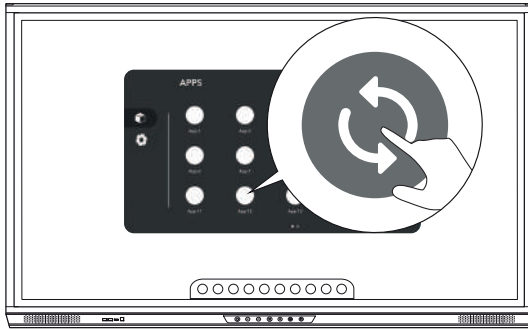




3



4



# Warranty, registration and support

## Warranty

- Promethean is confident in its product quality and to support this, offers an exceptional warranty for its parts and materials to be free of defects from date of installation (when registered). To view warranty information for your region, visit <https://www.prometheanworld.com/activcare>
- The installation of this product should be completed by a Promethean trained installer or other qualified installer. Promethean cannot warrant any fault occurring due to improper installation.
- This product is designed and manufactured to operate within defined design limits.
- Use of components not supplied by Promethean or not meeting minimum specifications may impact performance and affect the warranty.

## Registration

- To ensure you maximize the standard warranty offered or if you have purchased an enhanced warranty and need to activate it, please register the product within 90 days of installation at: <http://registration.prometheanworld.com>

## Support

- If your Promethean product suffers a fault, please visit our Support Portal for initial troubleshooting: <https://support.prometheanworld.com>
- If the troubleshooting does not correct the fault, please contact Promethean Technical Customer Support via our Support Portal: <https://support.prometheanworld.com/contact>

# Troubleshooting

## ActivPanel

If your ActivPanel is not operating correctly, please check the following table before contacting Technical Customer Support.

Problems	Solutions
No sound	<ul style="list-style-type: none"><li>• Try increasing the volume of the speaker.</li><li>• Check that the ActivPanel is not turned off.</li><li>• Check the ActivPanel volume level.</li><li>• Make sure the correct input is selected.</li><li>• Make sure the correct cables are properly connected.</li></ul>
Remote Control does not work	<ul style="list-style-type: none"><li>• Make sure the batteries are correctly inserted.</li><li>• Take the batteries out and clean the terminals in the remote and the ends of the batteries.</li><li>• If reinserting the battery has no effect, please replace the battery.</li></ul>
No power	<ul style="list-style-type: none"><li>• Make sure the AC power cable is securely connected to a power outlet.</li><li>• Make sure the AC socket is properly connected.</li><li>• Try another electrical device on the power outlet to ensure that there is an electrical current.</li></ul>

# ActivSoundBar



This product is an optional accessory.

If your ActivSoundBar is not operating correctly, please check the following table before contacting Technical Support.

Problems	Solutions
No sound	<ul style="list-style-type: none"><li>• Try increasing the volume of the speaker.</li><li>• Check that the ActivSoundBar is not turned off.</li><li>• Check the ActivSoundBar volume level.</li><li>• Make sure the correct input is selected.</li><li>• Make sure the correct cables are properly connected.</li></ul>
Remote Control does not work	<ul style="list-style-type: none"><li>• Make sure the battery is correctly inserted.</li><li>• Take the battery out, press the buttons once or twice, then reinsert the battery and try again.</li><li>• If reinserting the battery has no effect, please replace the battery.</li></ul>
No power	<ul style="list-style-type: none"><li>• Make sure the AC power cable is securely connected to a power outlet.</li><li>• Make sure the AC power cord is securely connected to the power connector.</li><li>• Try another electrical device on the power outlet to ensure that there is an electrical current.</li></ul>
Speaker emits buzzing or humming sound	<ul style="list-style-type: none"><li>• Make sure both ends of the audio cable are properly connected.</li><li>• Test the sound bar with another audio cable.</li><li>• Test the sound bar with another audio device.</li></ul>

## List of serviceable parts

Part name	Part number
AP5 3M Mains Cable EU	AP5-CB-MAINS-EU
AP5 3M Mains Cable US	AP5-CB-MAINS-US
AP5 3M Mains Cable AP	AP5-CB-MAINS-AP
AP5 3M Mains Cable CN (AP)	AP5-CB-MAINS-CN-1
AP5 3M Mains Cable CN (CN)	AP5-CB-MAINS-CN-2
AP5 3M Mains Cable ZA	AP5-CB-MAINS-ZA
AP7 Pen Titanium	AP7-PEN-B
AP7 Eraser	AP7-ERASER-B
AP Remote Control	AP-REMOTE-CONTROL

TP-3011-EN-V05 ©2020 Promethean Limited. All Rights Reserved. Products are subject to availability by country. Product specifications are subject to change without notice.